

***When It Clicks, It's Seated.
You're Certain.***

The Next-Generation Internal Connection System



- *Certain Seating*
- *Flexible Placement*
- *Uncompromised Stability*
- *Proven Predictability*
- *Simple Tools, Broad Options*

The OSSEOTITE® Certain™ Implant System - The Next-Generation Internal Connection System



The OSSEOTITE Certain implant system reduces the inherent weaknesses of conventional internal connection designs with innovative new features. These features reduce the time, complexity and cost of implant procedures while increasing predictability.

Certain Seating

- **QuickSeat™ Connection Produces An Audible And Tactile “Click” When Seating Abutments And Copings**

- **You Can Be Certain It’s Properly Seated And Stable**

Flexible Placement

- **Streamlined Delivery With New Mountless Design**

- **6/12-Point Connection Design Offers Flexible Implant And Abutment Placement**

- **30° Rotational Capability Allows For Improved Aesthetics**

- **Reduced Chair And Lab Times**

Uncompromised Stability

- **Deep 4mm Internal Engagement**

- **Thick Coronal Walls**

- **Unique, Stress-Relieving Internal Connection Features**

Proven Predictability

- **OSSEOTITE Surface**

- **Hybrid Design**

- **ICE® Incremental Cutting Edge Designs**

Simple Tools, Broad Options

- **Multi-System Instrumentation**

- **Color-Coding Of Shaping Drills, Implants And Restorative Components**

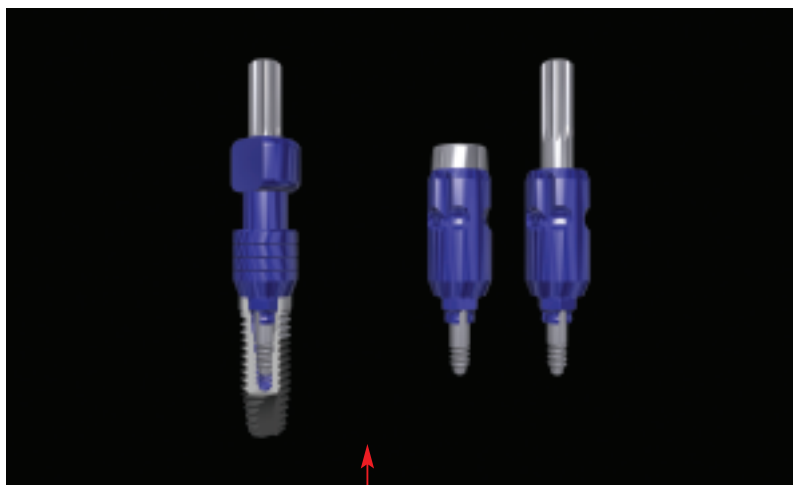
- **Full Component Selection**

By enhancing the ease and efficiency of implant therapy, the OSSEOTITE Certain implant system can help you build your practice.



**When It Clicks, It’s Seated.
You’re Certain.**

The QuickSeat™ Connection - Certain™ Seating



Pick-Up

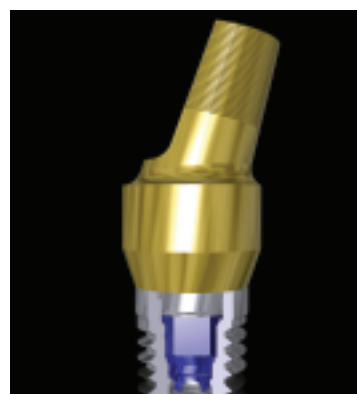
Twist-Lock

The Pick-Up Impression Coping Is Dedicated To The Pick-Up Technique, While The Twist-Lock Impression Coping Is Universal And Can Be Used For Both Transfer And Pick-Up Techniques.

Seating impression copings and abutments can be a hit-or-miss proposition that almost always requires an X-ray to confirm that they are seated correctly. The QuickSeat Connection uses a system of engagement fingers that confirms proper seating immediately. When you hear and feel the click, the component is properly seated and the hexes are aligned.



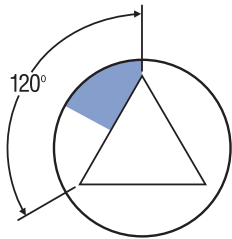
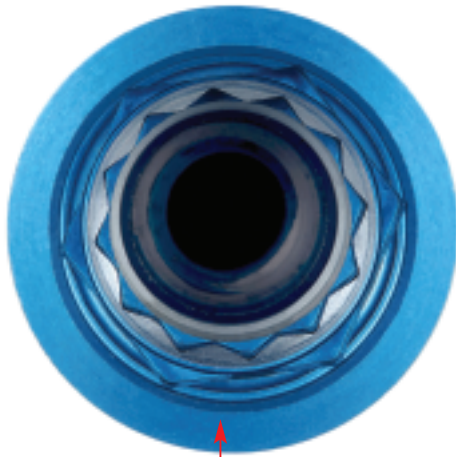
*Straight Abutments Engage
The 6-Point Hex*



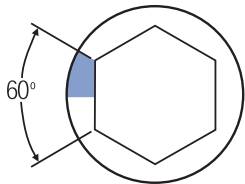
*Pre-Angled Abutments Engage
The 12-Point Hex*

Positive Seating – Tactile Fingers Produce An Audible/Tactile Click, Immediately Assuring Correct Seating.

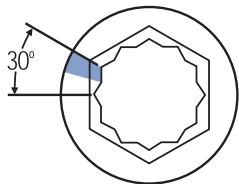
Flexible Placement - Mountless Design And 30° Rotational Capability



Competitor Type A
Potential Degree
Of Error 60°



Competitor Type B
Potential Degree
Of Error 30°



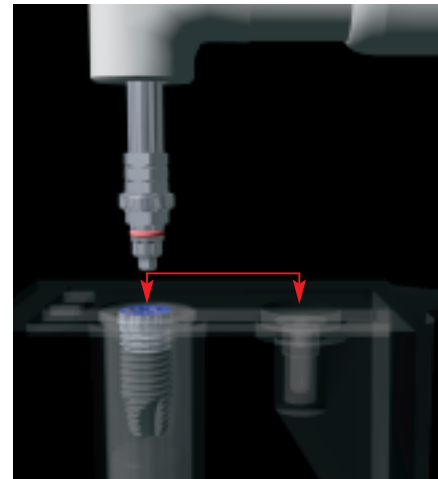
Certain Implant
Potential Degree
Of Error 15°

With a maximum rotational misalignment of only 15°, the angle correction of implants placed at compromised angles is much easier. The benefits to your patients and your practice are significant:

- **More Aesthetic Restorations**
- **Elimination Of Custom Abutments In Most Cases**
- **Reduced Chair And Lab Times**

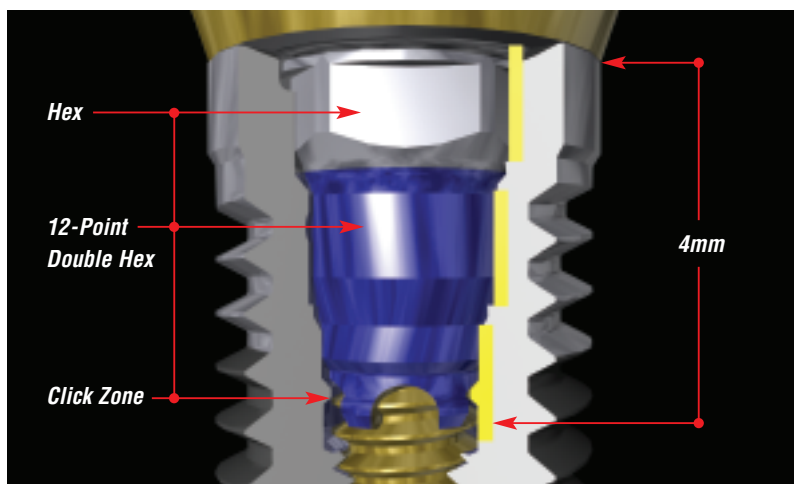
The 6/12-point positioning design of the OSSEOTITE®Certain™ implant system provides 6-point positioning for standard abutments, while taking advantage of 3i's 15° pre-angled GingiHue™ Post with 12-point hex machining. This allows you to position the angled abutment at every 30° of rotation, which is up to four times more flexibility than competitive internal-connection systems permit.

For surgeons, this offers greater ease and flexibility when placing the implant; there's no need to place a "dot" at the facial. The implant can be placed in any rotational position without compromising restorative aesthetics.



Streamlined Delivery – With Mountless, No-Touch™ Delivery, There Is No Need To Remove The Mount And Your Options Are Expanded. So It's Easy To Use, Especially Where Space Is Limited.

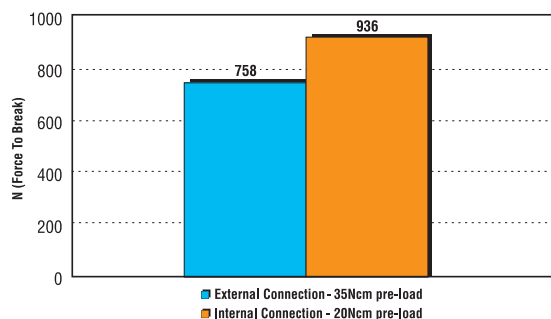
Uncompromised Stability - Deep, Multi-Level Engagement Zone



Extensive comparative testing has shown that the deep, 4mm multi-level engagement zone achieves a precise, secure connection with lower torque than competing connection systems. Thick coronal walls also enhance the connection's long-term integrity.

The strength of the OSSEOTITE®Certain™ implant is the result of superior design considerations and manufacturing processes. The Certain design maximizes strength by reducing stress risers through the combination of subtle geometric transitions, minimization of sharp corners and the use of supporting bores for stabilization of the implant and abutment connection. Optimum clamping force is achieved at 20Ncm of torque using 3i's Gold-Tite™ Hex Screw.

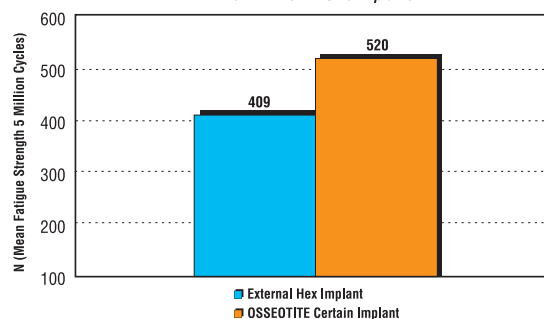
30° Static Load Comparison



The Certain Connection With 20Ncm Is Stronger Than The External Hex Connection With 35Ncm.

Fatigue Comparison

OSSEOTITE Certain vs. OSSEOTITE External Hex
4.0mm x 13mm Size Implants



Fatigue Testing Demonstrates That The OSSEOTITE Certain Implant Is Stronger Than The Proven OSSEOTITE External Hex Implant.

Proven Predictability - An Extension Of The OSSEOTITE® Family Success Story



Adding to the restorative predictability of all OSSEOTITE implants are these important implant and component features:

- **Hybrid Surface Design Maintains A Proven “Soft-Tissue-Friendly” Machined Surface When In Contact With Soft Tissue**
- **ICE® Design Can Eliminate Pre-Tapping, Allowing For Faster Placement And Stabilization With Less Torque**
- **Gold-Tite™ Hex Screw Has Demonstrated Significant Increases In Clamping Force Versus Standard Titanium Or Gold-Palladium Screws With Only 20Ncm**

Since the introduction of OSSEOTITE implants in 1996, no other implant has amassed as much human histology and achieved as much clinical success so quickly. The patented, clot-retentive microtextured surface allows:

- **Better Than 99% Post-Loading Success Using Single-Stage and Two-Stage Implant Placement Protocols***
- **Use In High-Risk-Factor Cases, Such As Early Loading, Short Implant Length ($\leq 10\text{mm}$) And Wide Implant Diameter***



OSSEOTITE NT™ Certain™ Implant The Closest Thing To The Real Thing

The popular new OSSEOTITE NT implant is also available with the QuickSeat™ connection. The natural-taper shape of the OSSEOTITE NT implant, combined with the superb cutting efficiency of its shaping drills and Spiral ICE™ cutting edge, provides:



- **Increased Speed Of Implant Placement Leading To Reduced Chair Time**
- **Excellent Immediate Implant Stability For Long-Term Predictability**
- **Force-Free Fit To Help Alleviate Pressure-Related Complications**

Simple Tools, Broad Options - Compatibility With Existing 3i Systems



Multi-System Instrumentation

All existing surgical instrumentation is compatible with the new OSSEOTITE® Certain™ implant system. Minimal additional instrumentation is required.

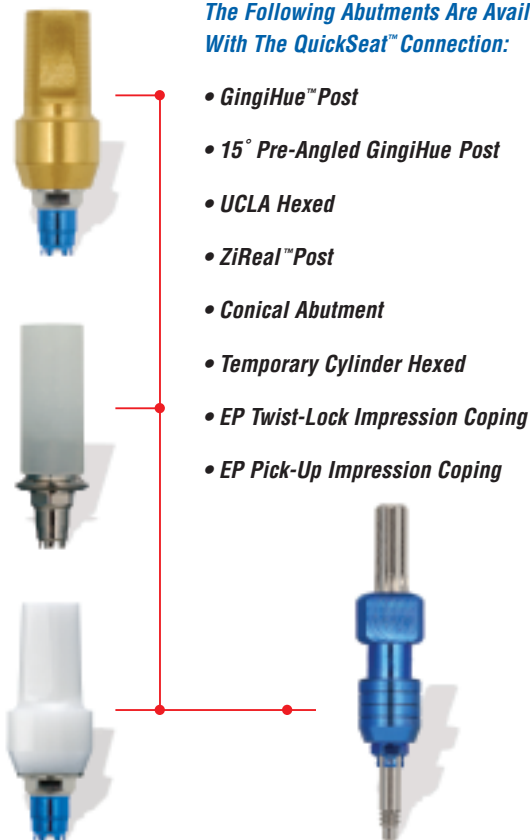
Color-Coding

Color-coding is available on shaping drills, implants and restorative components to maximize convenience.

Extensive Restorative Options

As with our external hex system, the breadth of restorative options is unmatched.

The Following Abutments Are Available With The QuickSeat™ Connection:



- **GingiHue™ Post**
- **15° Pre-Angled GingiHue Post**
- **UCLA Hexed**
- **ZiReal™ Post**
- **Conical Abutment**
- **Temporary Cylinder Hexed**
- **EP Twist-Lock Impression Coping**
- **EP Pick-Up Impression Coping**

These Restorative Components Are All Available With The OSSEOTITE Certain Implant System.

Abutments For Multiple Unit Restorations

Standard Abutments
LOCATOR® Overdenture Abutment
UCLA Non-hexed
Temporary Non-hexed Cylinder

Healing Abutments

Emergence Profile Healing Abutments

Lab Components

Lab Analog
Lab Abutment Holders
Polishing Protector Cap
Try-in Screw
Waxing Screw and Guide Pin

Screws

Gold-Tite™ Hex Screw
Gold-Tite Hex Large Diameter Screw

When It Clicks, You're Certain.



With the OSSEOTITE Certain Implant System, You'll Be Certain Of Your Prescribed Treatment At Every Step!

The OSSEOTITE® Certain™ implant system is the simple, secure, flexible, predictable and cost-effective choice.

- *Be Certain Of Placement*
- *Be Certain Of Integration*
- *Be Certain Of Impression Coping Seating*
- *Be Certain Of Abutment Seating*
- *Be Certain Of Alternative Angle Correction*
- *Be Certain Of Restorative Predictability*

Implant Innovations, Inc.
Global Headquarters
4555 Riverside Drive
Palm Beach Gardens, FL 33410
1.800.342.5454
Outside U.S.: + 561.776.6700
Fax: + 561.776.1272
www.3i-online.com



3i and design, EP, OSSEOTITE and ICE are registered trademarks and Certain, GingiHue, Gold-Tite, No-Touch, OSSEOTITE NT, QuickSeat, Spiral Ice and ZiReal are trademarks of Implant Innovations, Inc. LOCATOR is a trademark of Zest Anchors, Inc. ©2003 Implant Innovations, Inc. All rights reserved.



ART844

REV A 07/03

SUBSIDIARIES

BRAZIL
Phone: +55-11-6605-3434
Fax: +55-11-6605-8557

SPAIN
Phone: +34-93-470-59-50
Fax: +34-93-372-11-25

AUSTRIA
Wielandent
Phone: +43-7672-93901
Fax: +43-7672-93903

EL SALVADOR
Dentimer SA de CV
Phone: +503-263-6350
Fax: +503-263-6676

KOREA
Jungsan Biomed Corp.
Phone: +82-2-516-1808
Fax: +82-2-514-9434

SINGAPORE
Asia Implant Support & Services
Phone: +65-223-2229
Fax: +65-220-3538

CANADA
Phone: +514-956-9843
Fax: +514-956-9844

SWITZERLAND
Phone: +41-1-3804646
Fax: +41-1-3834655

BENELUX
Titamed, NV
Phone: +32-2-5410290
Fax: +32-2-5410291

GREECE
Kostas Kornisoris and Co.
Phone: +30310-501-651
Fax: +30310-555-573

LEBANON
Tamer Freres s.a.l.
Phone: +961-1-485690
Fax: +961-1-510233

TAIWAN
Kuo Hwa Dental Suppliers Co., Ltd.
Phone: +886-2-2226-1770
Fax: +886-2-2226-8747

FRANCE
Phone: +33-1-41054343
Fax: +33-1-41054340

U.K.
Phone: +44-1628-829314
Fax: +44-1628-820182

CHILE
Cybel, SA
Phone: +56-2-2321883
Fax: +56-2-2330176

ISRAEL
H.A. Systems
Phone: +972-3-6138777
Fax: +972-3-6138778

PANAMA
Odontomedica, S.A.
Phone: +507-2-239622
Fax: +507-2-239621

THAILAND
PT Endeavour Co., Ltd.
Phone: +662-264-2574
Fax: +662-264-2573

GERMANY
Phone: +49-721-6314-220
Fax: +49-721-6314-233

DISTRIBUTORS

MEXICO
Phone: +52-55-5679-1619
Fax: +52-55-5684-8098

ARGENTINA
Rudolf Gunz & Co. SA
Phone: +541-1482-71001
Fax: +541-1482-67373

COLOMBIA
Implantes y Componentes
Phone: +571-612-9362
Fax: +571-612-1542

ITALY
Biomax, srl.
Phone: +39-0444-913410
Fax: +39-0444-913695

PARAGUAY
Andres H. Arce y Cia SRL
Phone: +595-21-208185
Fax: +595-21-496291

UKRAINE
Porcelain Ltd.
Phone: +380-44-219-3900
Fax: +380-44-246-8468

NORDIC REGION
Phone: +45-33-12-7008
Fax: +45-33-12-7003

AUSTRALIA
Rudolf Gunz & Co. Pty., Ltd.
Phone: +61-2-9935-6655
Fax: +61-2-9935-6650

COSTA RICA
Implantec S.A.
Phone: +506-2-256411
Fax: +506-2-247620

JAPAN
Implant Innovations Japan
Phone: +81-66-868-3012
Fax: +81-66-868-2444

POLAND
Dental Depot
Phone: +48-71-343-3091
Fax: +48-71-343-6560

URUGUAY
Jelenko Distribution SRL
Phone: +598-2-4083003
Fax: +598-2-4034163